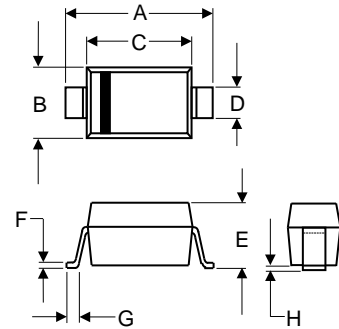


Features

- * Low forward voltage
- * Marking Code: S4



RoHS
COMPLIANT



SOD-123				
DIM	INCHES		MM	
	MIN	MAX	MIN	MAX
A	0.138	0.150	3.50	3.80
B	0.059	0.067	1.50	1.70
C	0.100	0.106	2.54	2.70
D	0.020	0.028	0.50	0.70
E	0.036	0.048	0.91	1.21
F	0.003	0.008	0.08	0.20
G	0.008	0.016	0.20	0.40
H	---	0.004	---	0.10

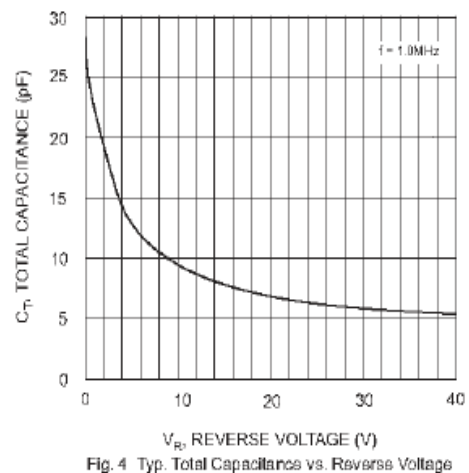
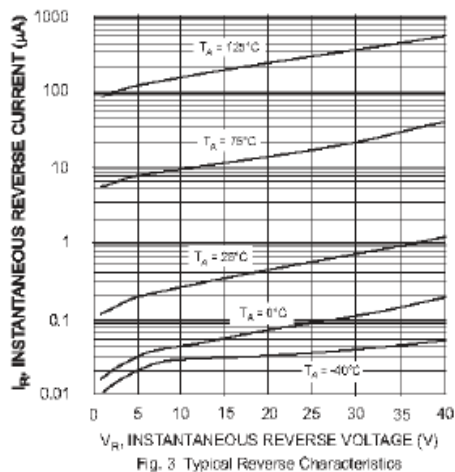
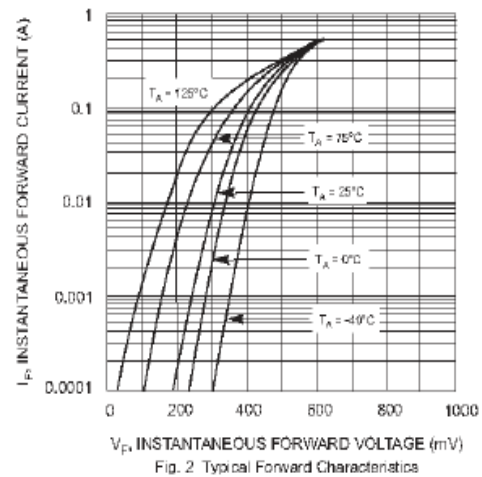
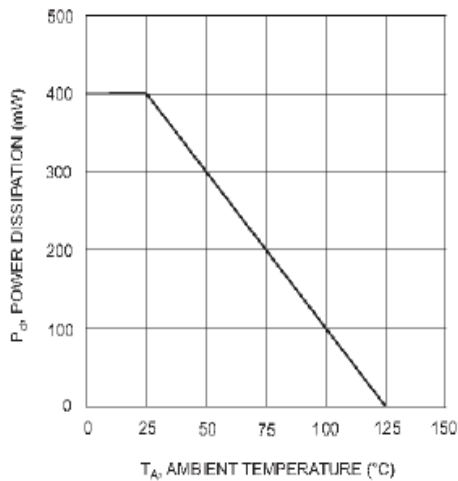
Maximum Ratings (T_A=25°C unless otherwise noted)

Parameter	Symbol	Value	Unit
Peak Repetitive Reverse Voltage	V _{RRM}	40	V
SD103AW		30	
SD103BW		20	
SD103CW			
Reverse Voltage	V _R	40	V
SD103AW		30	
SD103BW		20	
SD103CW			
Average Forward Rectified Current	I _{F(AV)}	350	mA
Non-Repetitive Peak Forward Surge Current at t = 1 s	I _{FSM}	2	A
Power Dissipation	P _{tot}	400	mW
Operating and Storage Temperature Range	T _j /T _{stg}	- 65 to + 125	°C

Electrical Characteristics (T_A=25°C unless otherwise noted)

Parameter	Symbol	Min.	Typ.	Max.	Unit
Reverse Breakdown Voltage at I _R = 10 μA	V _{(BR)R}	40	-	-	V
SD103AW		30	-	-	
SD103BW SD103CW		20	-	-	
Reverse Leakage Current at V _R = 30 V at V _R = 20 V at V _R = 10 V	I _R	-	-	5	μA
SD103AW		-	-	5	
SD103BW SD103CW		-	-	5	
Forward Voltage at I _F = 20 mA at I _F = 200 mA	V _F	-	-	0.37	V
		-	-	0.6	
Total Capacitance at V _R = 0 V, f = 1 MHz	C _T	-	50	-	pF
Reverse Recovery Time at I _F = I _R = 200 mA, I _{rr} = 0.1X I _R , R _L = 100 Ω	t _{rr}	-	10	-	ns

Ratings and Characteristic Curves





SD103AW,SD103BW,SD103CW Surface Mount Schottky Barrier Diodes

Ordering Information

Part No.	Package	Packing Code	Packing
SD103AW,SD103BW,SD103CW	SOD-123	R30	3000pcs/Reel

Disclaimer

Specifications of the products displayed herein are subject to change without notice. JGD or anyone on its behalf, assumes no responsibility or liability for any errors or inaccuracies.

Information contained herein is intended to provide a product description only. No license, express or implied, to any intellectual property rights is granted by this document. Except as provided in JGD's terms and conditions of sale for such products, JGD assumes no liability whatsoever, and disclaims any express or implied warranty, relating to sale and/or use of JGD products including liability or warranties relating to fitness for a particular purpose, merchantability, or infringement of any patent, copyright, or other intellectual property right.

The products shown herein are not designed for use in medical, life-saving, or life-sustaining applications. Customers using or selling these products for use in such applications do so at their own risk and agree to fully indemnify JGD for any damages resulting from such improper use or sale.