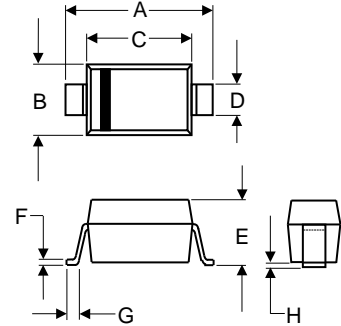


Features

- * Low clamping voltage
- * Low leakage
- * For ESD protection



RoHS
COMPLIANT



SOD-123				
DIM	INCHES		MM	
	MIN	MAX	MIN	MAX
A	0.138	0.150	3.50	3.80
B	0.059	0.067	1.50	1.70
C	0.100	0.106	2.54	2.70
D	0.020	0.028	0.50	0.70
E	0.036	0.048	0.91	1.21
F	0.003	0.008	0.08	0.20
G	0.008	0.016	0.20	0.40
H	---	0.004	---	0.10

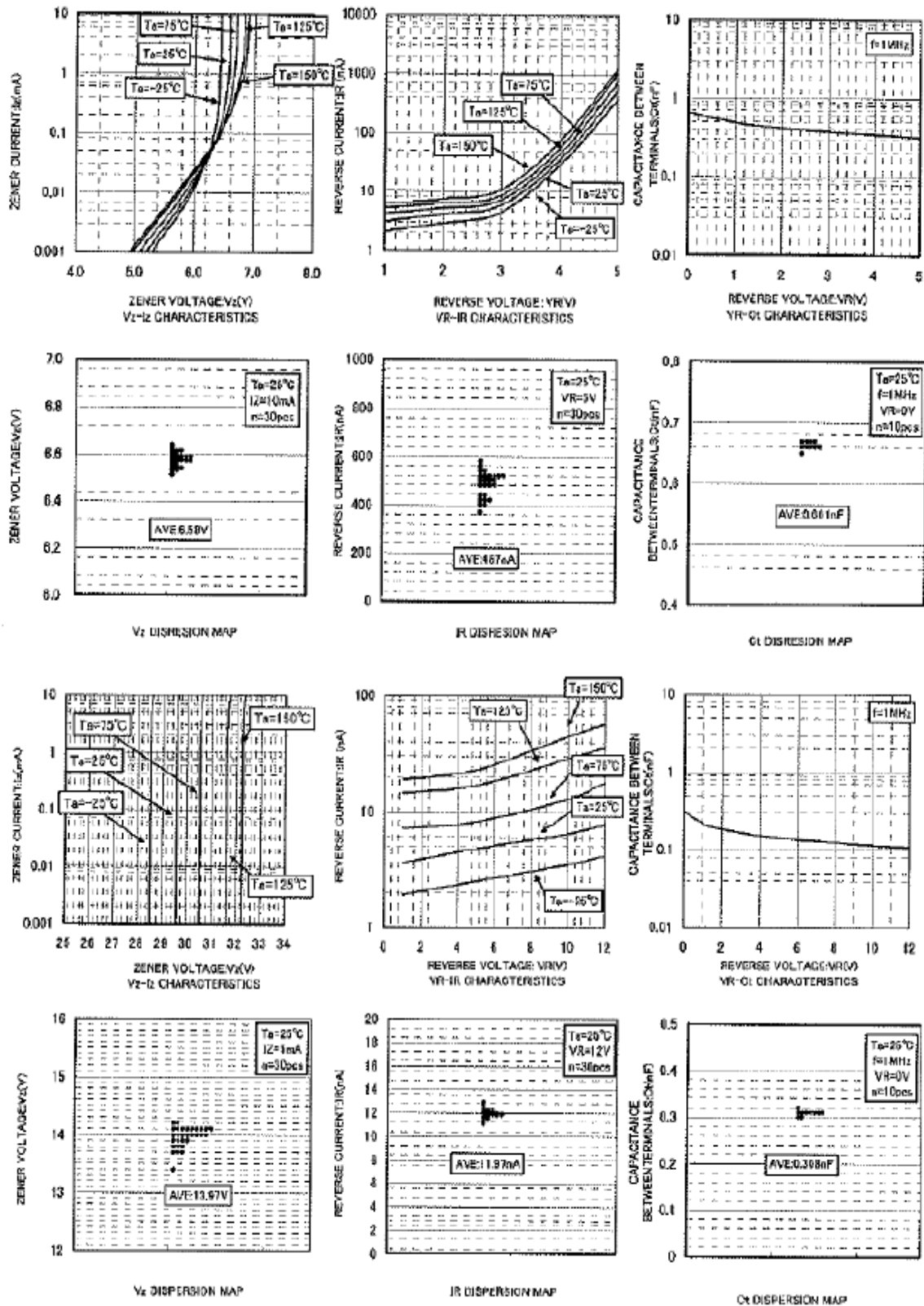
Maximum Ratings (T_A=25°C unless otherwise noted)

Parameter	Symbol	Value	Unit
Peak Pulse Power (t _p = 10 X 1000 μs)	P _{pk}	200	W
Operating Junction Temperature	T _j	150	°C
Storage Temperature Range	T _{stg}	- 55 to + 150	°C

Electrical Characteristics (T_A=25°C unless otherwise noted)

Type	Marking Code	Reverse Stand-off Voltage	Reverse Current	Breakdown Voltage			Clamping Voltage	
		V _{RWM}	I _R at V _{RWM}	V _{BR}		at I _T	V _c	at I _{PP}
		Max. (V)	Max. (μA)	Min.(V)	Max.(V)	mA	Max.(V)	A
ESD1Z5V0	1U	5	400	6.4	7	10	9.2	21.7
ESD1Z12	2U	12	2.5	13.3	14.7	1	19.9	10.1

Ratings and Characteristic Curves





ESD1Z5V0, ESD1Z12 Transient Voltage Suppressors

Ordering Information

Part No.	Package	Packing Code	Packing
ESD1Z5V0, ESD1Z12	SOD-123	R30	3000pcs/Reel

Disclaimer

Specifications of the products displayed herein are subject to change without notice. JGD or anyone on its behalf, assumes no responsibility or liability for any errors or inaccuracies.

Information contained herein is intended to provide a product description only. No license, express or implied, to any intellectual property rights is granted by this document. Except as provided in JGD's terms and conditions of sale for such products, JGD assumes no liability whatsoever, and disclaims any express or implied warranty, relating to sale and/or use of JGD products including liability or warranties relating to fitness for a particular purpose, merchantability, or infringement of any patent, copyright, or other intellectual property right.

The products shown herein are not designed for use in medical, life-saving, or life-sustaining applications. Customers using or selling these products for use in such applications do so at their own risk and agree to fully indemnify JGD for any damages resulting from such improper use or sale.