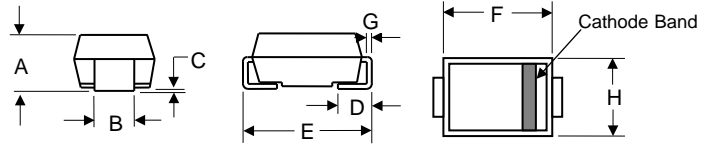


Features

- * Glass passivated chip junction
- * Ideal for automated placement
- * Low forward voltage drop
- * High current capability
- * High surge current capability



RoHS
COMPLIANT



DO-214AB (SMC)				
DIM	INCHES		MM	
	MIN	MAX	MIN	MAX
A	0.079	0.103	2.06	2.62
B	0.114	0.126	2.9	3.2
C	---	0.008	---	0.203
D	0.03	0.06	0.76	1.52
E	0.305	0.32	7.75	8.13
F	0.26	0.28	6.6	7.11
G	0.006	0.012	0.152	0.305
H	0.22	0.245	5.59	6.22

Mechanical Data

- * Case: DO-214AB (SMC)
- * Molding compound, UL flammability classification rating 94V-0
- * Moisture sensitivity level: level 1, per J-STD-020
- * Terminal: Matte tin plated leads, solderable per JESD22-B102
Meet JESD 201 class 2 whisker test
- * Polarity: Indicated by cathode band
- * Weight: 0.21 g (approximately)

Maximum Ratings And Electrical Characteristics (T_A=25°C unless otherwise noted)

PARAMETER	SYMBOL	S4A	S4B	S4D	S4G	S4J	S4K	S4M	UNIT
Maximum repetitive peak reverse voltage	V _{RRM}	50	100	200	400	600	800	1000	V
Maximum RMS voltage	V _{RMS}	35	70	140	280	420	560	700	V
Maximum DC blocking voltage	V _{DC}	50	100	200	400	600	800	1000	V
Maximum average forward rectified current	I _{F(AV)}	4							A
Peak forward surge current, 8.3 ms single half sine-wave superimposed on rated load	I _{FSM}	100							A

Maximum Ratings And Electrical Characteristics (T_A=25°C unless otherwise noted)

PARAMETER	SYMBOL	S4A	S4B	S4D	S4G	S4J	S4K	S4M	UNIT
Maximum instantaneous forward voltage (Note 1) I _F = 4 A	V _F	1.15							V
Maximum reverse current @ rated V _R T _J =25°C T _J =125°C	I _R	10 250							μA
Typical reverse recovery time (Note 2)	t _{rr}	1.5							μs
Typical junction capacitance (Note 3)	C _J	60							pF
Typical thermal resistance	R _{θJL}	13							°C/W
	R _{θJA}	47							
Operating junction temperature range	T _J	- 55 to +150							°C
Storage temperature range	T _{STG}	- 55 to +150							°C

Note 1: Pulse test with PW=300μs, 1% duty cycle

Note 2: Reverse Recovery Test Conditions: I_F=0.5A, I_R=1.0A, I_{RR}=0.25A

Note 3: Measured at 1 MHz and Applied Reverse Voltage of 4.0V D.C.

Ratings and Characteristic Curves

FIG.1- MAXIMUM FORWARD CURRENT DERATING CURVE

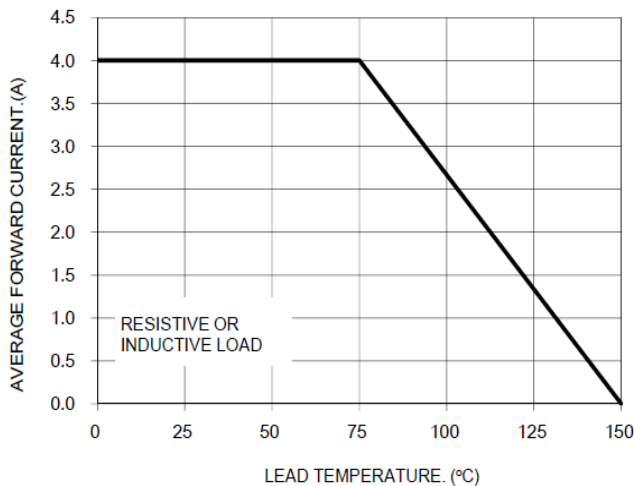
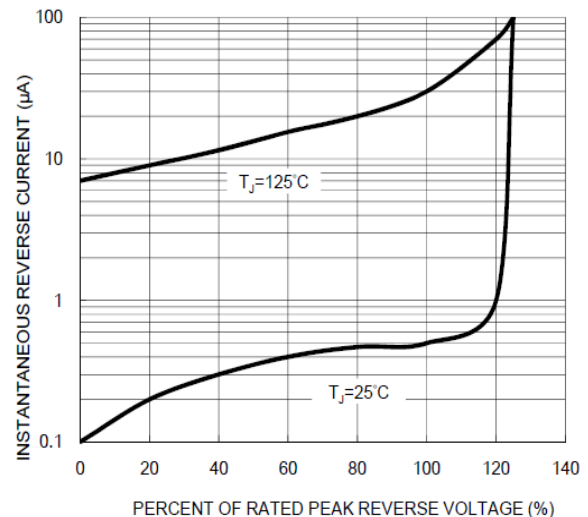


FIG.2- TYPICAL REVERSE CHARACTERISTICS



Ratings and Characteristic Curves

FIG.3- MAXIMUM NON-REPETITIVE FORWARD SURGE CURRENT

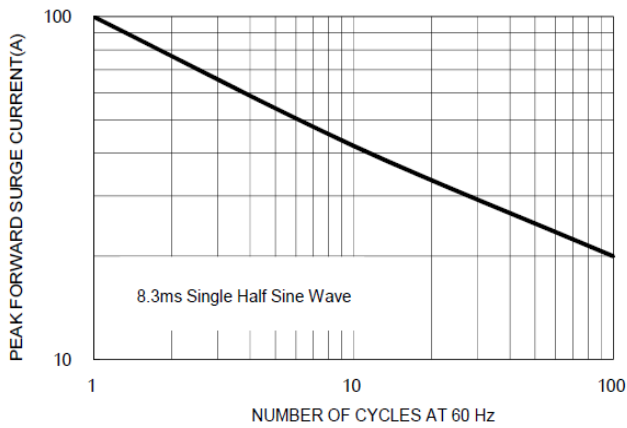


FIG.4 TYPICAL FORWARD CHARACTERISTICS

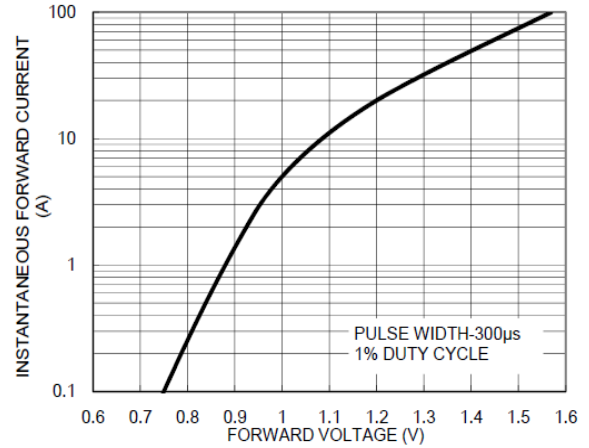


FIG.5 TYPICAL JUNCTION CAPACITANCE

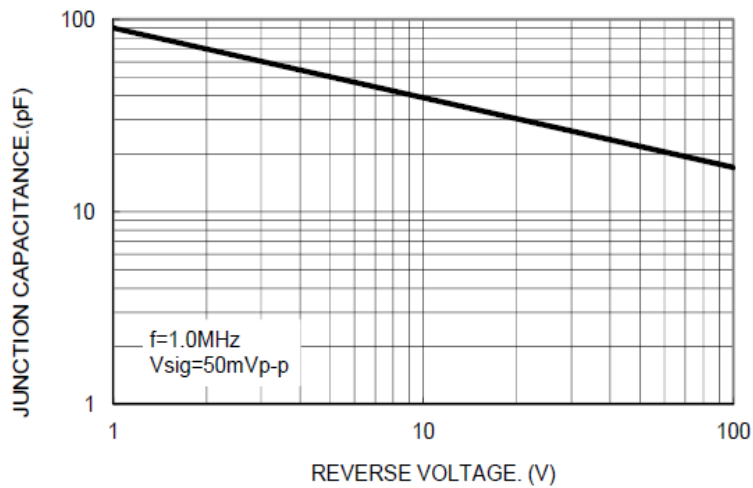
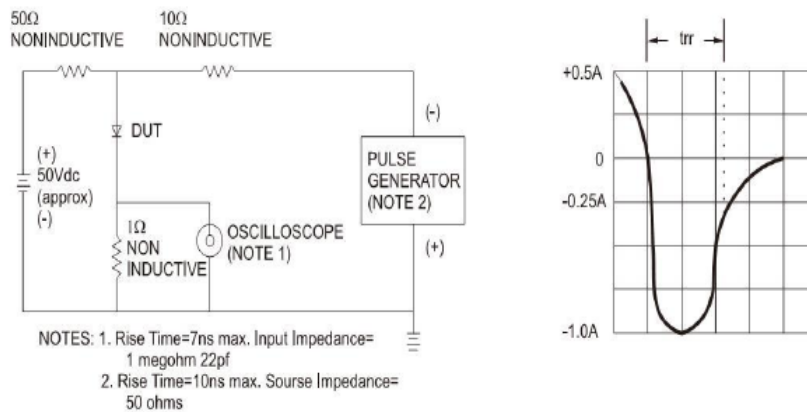


FIG.6- REVERSE RECOVERY TIME CHARACTERISTIC AND TEST CIRCUIT DIAGRAM





S4A THRU S4M

4A, 50V - 1000V Surface Mount Rectifiers

Ordering Information

Part No.	Package	Packing Code	Packing
S4A - S4M	DO-214AB (SMC)	R30	3000pcs/Reel

Disclaimer

Specifications of the products displayed herein are subject to change without notice. JGD or anyone on its behalf, assumes no responsibility or liability for any errors or inaccuracies.

Information contained herein is intended to provide a product description only. No license, express or implied, to any intellectual property rights is granted by this document. Except as provided in JGD's terms and conditions of sale for such products, JGD assumes no liability whatsoever, and disclaims any express or implied warranty, relating to sale and/or use of JGD products including liability or warranties relating to fitness for a particular purpose, merchantability, or infringement of any patent, copyright, or other intellectual property right.

The products shown herein are not designed for use in medical, life-saving, or life-sustaining applications. Customers using or selling these products for use in such applications do so at their own risk and agree to fully indemnify JGD for any damages resulting from such improper use or sale.