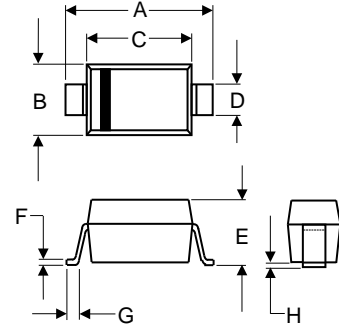


### Features

- \* SOD-323 package
- \* Fast switching
- \* These diodes are also available in other case style including the DO-35 case with the type designation 1N4148, the MiniMELF case with the type designation LL4148 and the MicroMELF case with the type designation MCL4148.
- \* Marking Code: "W2"



RoHS  
COMPLIANT



SOD-323				
DIM	INCHES		MM	
	MIN	MAX	MIN	MAX
A	0.091	0.110	2.30	2.80
B	0.045	0.053	1.15	1.35
C	0.063	0.071	1.60	1.80
D	0.010	0.016	0.25	0.40
E	0.031	0.043	0.80	1.10
F	---	0.006	---	0.15
G	0.004	0.020	0.10	0.50
H	---	0.004	---	0.10

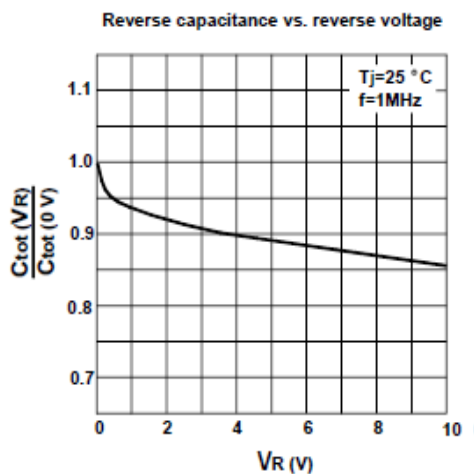
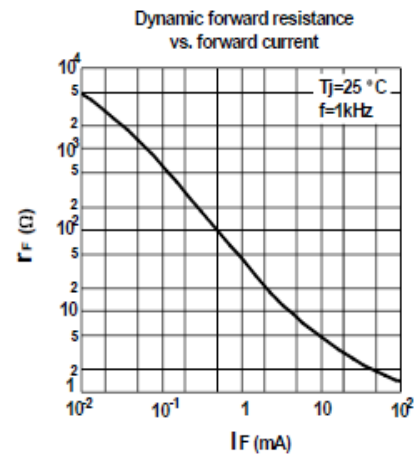
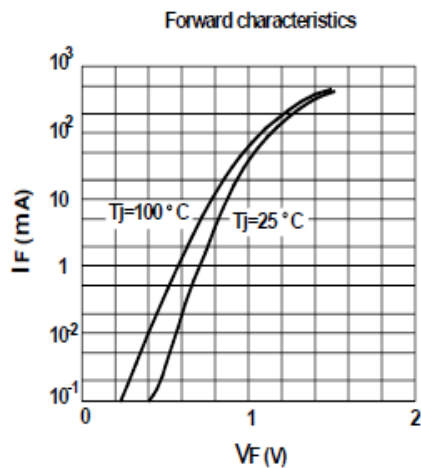
### Maximum Ratings (T<sub>A</sub>=25°C unless otherwise noted)

Parameter	Symbol	Value	Unit
Peak Reverse Voltage	V <sub>RM</sub>	100	V
Reverse Voltage	V <sub>R</sub>	75	V
Average Rectified Forward Current	I <sub>F(AV)</sub>	150	mA
Surge Forward Current (t < 1 s, T <sub>j</sub> = 25 °C)	I <sub>FSM</sub>	350	mA
Power Dissipation	P <sub>tot</sub>	200	mW
Thermal Resistance from Junction to Ambient Air	R <sub>θJA</sub>	625	°C/W
Junction Temperature	T <sub>j</sub>	150	°C
Storage Temperature Range	T <sub>stg</sub>	- 65 to + 150	°C

### Electrical Characteristics (T<sub>A</sub>=25°C unless otherwise noted)

Parameter	Symbol	Min.	Max.	Unit
Reverse Breakdown Voltage at I <sub>R</sub> = 1 μA	V <sub>(BR)R</sub>	75	-	V
Forward Voltage at I <sub>F</sub> = 1 mA at I <sub>F</sub> = 10 mA at I <sub>F</sub> = 50 mA at I <sub>F</sub> = 150 mA	V <sub>F</sub>	- - - -	0.715 0.855 1 1.25	V
Peak Reverse Current at V <sub>R</sub> = 75 V at V <sub>R</sub> = 20 V at V <sub>R</sub> = 75 V, T <sub>J</sub> = 150 °C at V <sub>R</sub> = 25 V, T <sub>J</sub> = 150 °C	I <sub>R</sub>	- - - -	1 25 50 30	μA nA μA μA
Total Capacitance at V <sub>R</sub> = 0 V, f = 1 MHz	C <sub>T</sub>	-	2	pF
Reverse Recovery Time at I <sub>rr</sub> = 0.1 X I <sub>R</sub> , I <sub>F</sub> = I <sub>R</sub> = 10 mA, R <sub>L</sub> = 100 Ω	t <sub>rr</sub>	-	4	ns

### Ratings and Characteristic Curves





# 1N4148WS

## *Silicon Epitaxial Planar Switching Diode*

---

### Ordering Information

---

Part No.	Package	Packing Code	Packing
1N4148WS	SOD-323	R30	3000pcs/Reel

### Disclaimer

Specifications of the products displayed herein are subject to change without notice. JGD or anyone on its behalf, assumes no responsibility or liability for any errors or inaccuracies.

Information contained herein is intended to provide a product description only. No license, express or implied, to any intellectual property rights is granted by this document. Except as provided in JGD's terms and conditions of sale for such products, JGD assumes no liability whatsoever, and disclaims any express or implied warranty, relating to sale and/or use of JGD products including liability or warranties relating to fitness for a particular purpose, merchantability, or infringement of any patent, copyright, or other intellectual property right.

The products shown herein are not designed for use in medical, life-saving, or life-sustaining applications. Customers using or selling these products for use in such applications do so at their own risk and agree to fully indemnify JGD for any damages resulting from such improper use or sale.